

TASTE HYGIENE EFFICIENCY

The Ideal Juicer for Small Spaces and On-Demand Juicing

- ✓ Gourmet manual fruit feeding
- ✓ Juicing starts with fruit feeding on M/AS and with pressing of tap on M/SB
- ✓ High pressing capacity: 30 fruit/min
- ✓ Small footprint (only 11 in wide), minimal space requirements
- ✓ Multifunctional digital display
- ✓ Manual Transport System (MTS): one swipe to clean the sieve
- ✓ Soft Cut System (SCS) for precise fruit cuts and superior taste
- ✓ Intelligent Stop for improved peel management: programmable to stop when peel bucket should be emptied
- ✓ Double Cover for increased hygiene and efficiency
- ✓ Cross Holder for easy disassembly and fast cleaning
- ✓ Adaptable base plate for easy and varied installation
- ✓ Optional pressing kit for juicing smaller citrus (lemons, limes)



Citrus America, Inc.
2781 Wrights Road, Suite 1233
Oviedo, FL 32765
(407) 790 7862
www.CitrusAmerica.com

CITROCASA®

Fantastic M/AS Advance ★



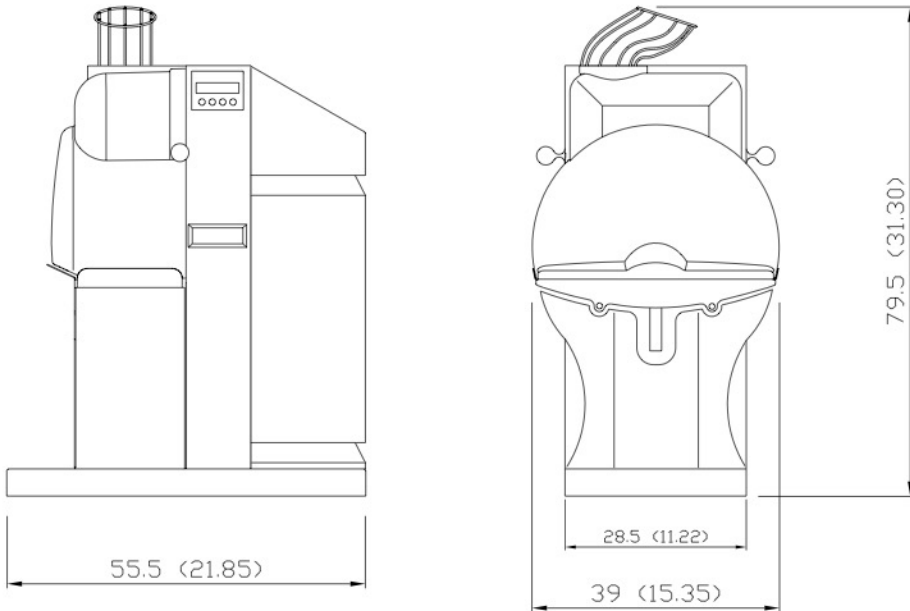
Fantastic M/SB Advance ★



Fantastic M/AS Advance ★
Fantastic M/SB Advance ★



MEASUREMENTS AND TECHNICAL SPECIFICATIONS



SCS Soft Cut System



M/SB with Fruit Basket



Measurements (H x W x D)	31.3 x 15.4 x 21.9 in (79.5 x 39.0 x 55.5 cm)	Power Supply	120 V / 60 Hz
Weight	95.9 lb (43.5 kg)	Power	0.2 kW
Fruit juiced per minute	Approx. 30 pieces	Fuse	6.3 A
Capacity Fruit Basket (optional)	28.7 lb (13 kg)	Protection	IPx1
Fruit size, Standard Pressing Kit:		Ø 2.55-3.14 in (65-80 mm)	
Fruit size, Small Pressing Kit (optional):		Ø 1.96-2.55 in (50-65 mm)	

E&OE